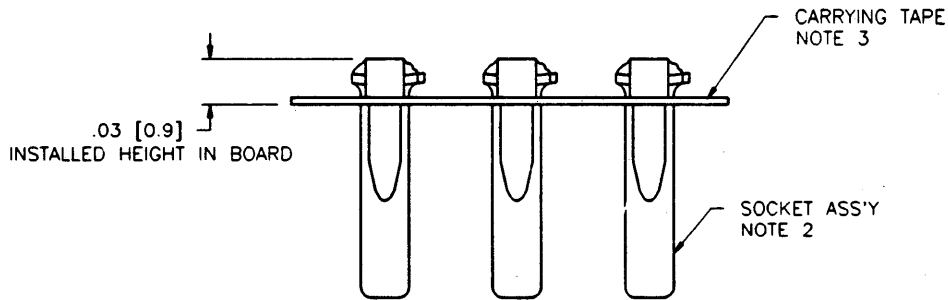
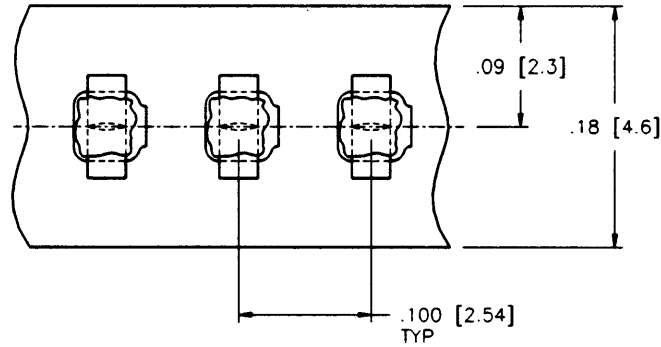


Tous droits strictement reserves. Reproduction ou communication a des tiers interdite sous quelque forme que ce soit sans autorisation ecrite du proprietaire. Propriete de © BERG ELECTRONICS. Droits de reproduction BERG ELECTRONICS INC.



All rights strictly reserved. Reproduction or issue to third parties in any form whatever is not permitted without written authority from the proprietor. Property of © BERG ELECTRONICS Copyright BERG ELECTRONICS INC.

PRODUCT NO.	QTY/REEL	COMMENTS
75540-001	25,000	RTV IN PRODUCT
75540-002	5,000	
75540-004	25,000	WITHOUT RTV IN PRODUCT
75540-005	5,000	



NOTES:

1. MINISERT TAPE ASS'Y AS SHOWN SUPPLIED CONTINUOUS STRIP FORM.
2. THE SOCKET ASS'Y IS IDENTICAL TO THE MINISERT SOCKET DUPONT CONN. SYST. NO. 75060.
3. CARRYING TAPE MAT'L: DUPONT KAPTON POLYIMIDE FILM #500-H, .005/0.13 THK.
4. RECOMMENDED HOLE DIA.: .050/1.27 - .060/1.52.

mat'l. code AS SHOWN				tolerances unless otherwise specified		CUSTOMER COPY	BERG ELECTRONICS	
ltr	ecn no	dr	date	linear	xx ± .01 x ± .3	projection	title	
C	REDRAWN	DEW	9/16/74	linear	xxx ± .005 / xx ± .13		INCH/MM	MINISERT TAPE ASS'Y
D	REV	DEW	1/27/77	angles	xxxx ± .0020 xxx ± .051	scale		product family
E	REV	DA	1/25/80	angles	0° ± 2'		8/1	COMPONENTS
F	REV	EBY	1/27/86	dr	M.CLOUSER 10/13/94	A	size	sheet
G	V41461	MSC	10/13/94	enr	L.FYE 10/13/94		75540	1 of 1
H	V41777	SAR	11/21/94	chr	L.FYE 10/13/94	sheet		
				appd	L.FYE 10/13/94	1 of 1		
sheet index	revision sheet	H	1					

form no. 7530-001-103

cage code 22526